



DEEP CYCLE
SERIES: 4000
MODEL: 12 HHG 325 P

BATTERY ENGINEERING
WWW.ROLLSBATTERY.COM MADE IN CANADA

BATTERY TYPE: 12 VOLTS

DIMENSIONS:

LENGTH 552 MM 21 3/4 INCHES
WIDTH 337 MM 13 1/4 INCHES
HEIGHT 287 MM 11 5/16 INCHES

WEIGHTS:

WEIGHT DRY 68 KG 150 LBS.
WEIGHT WET 91 KG 200 LBS.

CONTAINER CONSTRUCTION:

CONTAINER: POLYPROPYLENE
COVER: POLYPROPYLENE

TERMINALS: BOLT ON - STANDARD

HANDLES: MOLDED

SPECIAL: 6 REMOVABLE BOLT-TOGETHER CELLS IN TALL 8D BATTERY BOX

PLATES:

POSITIVE PLATE DIMENSION:

HEIGHT 140 MM 5.500 INCHES
WIDTH 143 MM 5.625 INCHES
THICKNESS 3.18 MM 0.125 INCHES

CELLS: 6

PLATES/CELL: 25

NEGATIVE PLATE DIMENSION:

HEIGHT 140 MM 5.500 INCHES
WIDTH 143 MM 5.625 INCHES
THICKNESS 2.08 MM 0.082 INCHES

SEPARATOR THICKNESS 2 MM 0.061 INCHES

INSULATION GLASS MAT 1 MM 0.020 INCHES

CAPACITY:

CRANK AMPS:
COLD (CCA) 0°F / -17.8°C 1350
MARINE (MCA) 32°F / 0°C 1688

ELECTROLYTE RESERVE:
ABOVE PLATES 57 MM 2.25 INCHES

RESERVE CAPACITY:
RC @ 25A 650 MINUTES

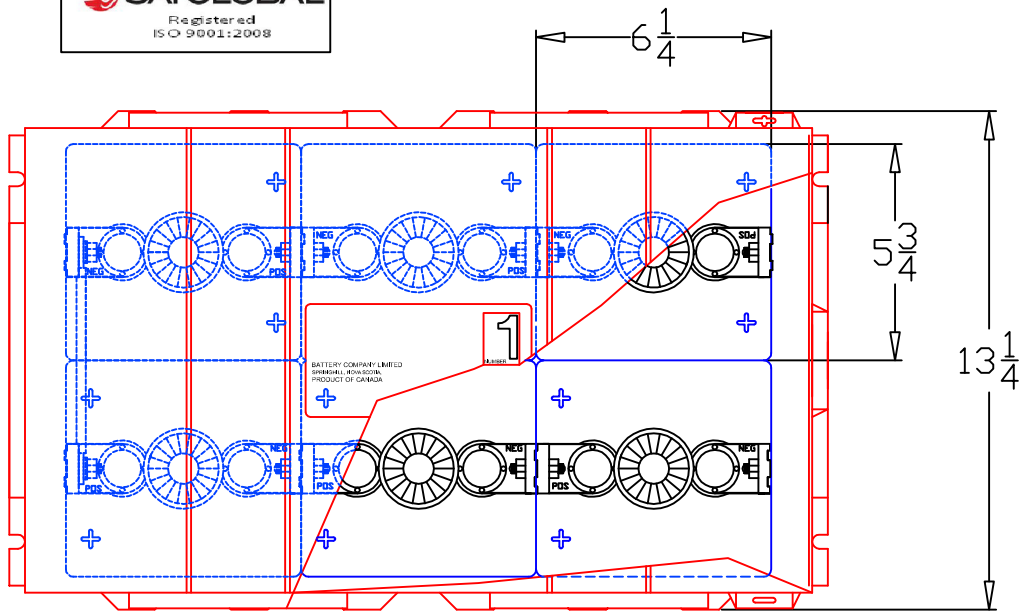
20 HR RATE: 325

	HOUR RATE	SPECIFIC GRAVITY	CAP / AH	CURRENT / AMPS
CAPACITY @	100 HOUR RATE	1.280 SP. GR.	432	4.32
CAPACITY @	72 HOUR RATE	1.280 SP. GR.	410	5.69
CAPACITY @	50 HOUR RATE	1.280 SP. GR.	387	7.74
CAPACITY @	24 HOUR RATE	1.280 SP. GR.	335	13.9
CAPACITY @	20 HOUR RATE	1.280 SP. GR.	325	16.3
CAPACITY @	15 HOUR RATE	1.280 SP. GR.	306	20.4
CAPACITY @	12 HOUR RATE	1.280 SP. GR.	289	24.1
CAPACITY @	10 HOUR RATE	1.280 SP. GR.	276	27.6
CAPACITY @	8 HOUR RATE	1.280 SP. GR.	260	32.5
CAPACITY @	6 HOUR RATE	1.280 SP. GR.	241	40.1
CAPACITY @	5 HOUR RATE	1.280 SP. GR.	228	46
CAPACITY @	4 HOUR RATE	1.280 SP. GR.	211	53
CAPACITY @	3 HOUR RATE	1.280 SP. GR.	192	64
CAPACITY @	2 HOUR RATE	1.280 SP. GR.	166	83
CAPACITY @	1 HOUR RATE	1.280 SP. GR.	117	117



I STATION RD SPRINGHILL, NOVA SCOTIA CANADA B0M 1X0 1.800.681.9914

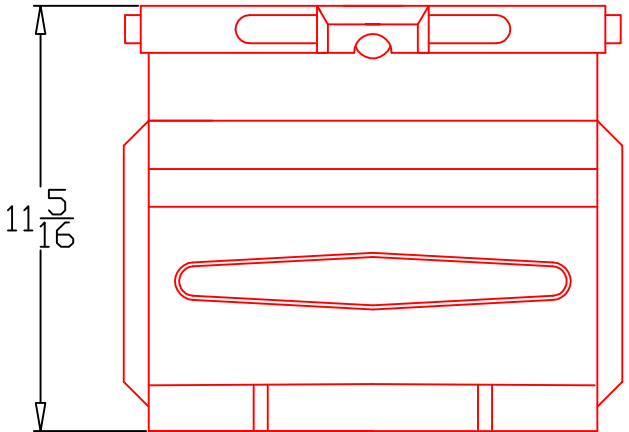
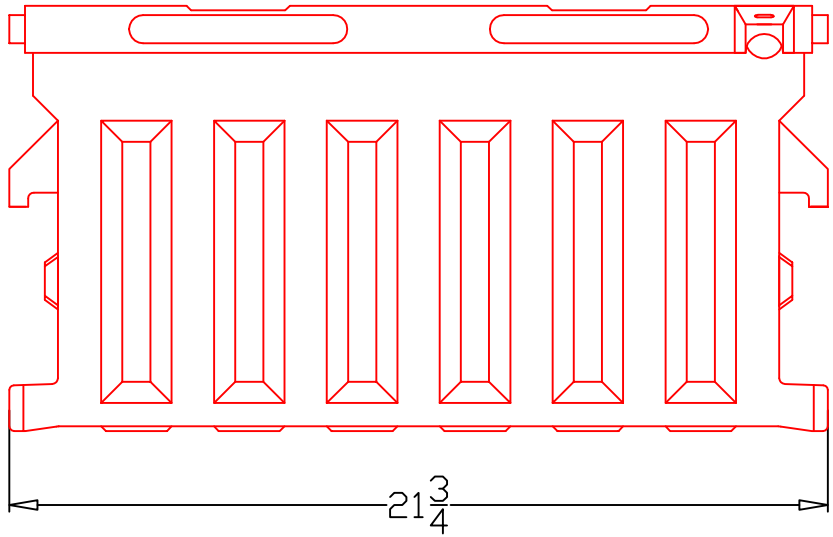
REV.2
 Jan-10
 12 HHG 325 P



**LOW MAINTENANCE
ONE YEAR WATERING CYCLE**

PART NUMBER:	12HHG325P
WT WET:	200 LB / 91 KG
WT DRY:	150 LB / 68 KG
CAPACITY:	325 AH 20 HR
VOLTAGE:	12 V
OVERALL DIM:	$21 \frac{3}{4}$ " X $13 \frac{1}{4}$ " X $11 \frac{5}{16}$ "
SINGLE CELL DIM:	$6 \frac{1}{4}$ " X $5 \frac{3}{4}$ " X $10 \frac{5}{16}$ "
STANDARD:	HYDROCAPS & BOLT-ON CONNECTORS

COAST GUARD APPROVED CONTAINER
WHEN CORRECTLY INSTALLED



TITLE:	12HHG325
DESCRIPTION:	12V DEEP CYCLE SERIES 4000
CONTACT INFO:	WEB: WWW.SURRETTE.COM E-MAIL: SALES@SURRETTE.COM PHONE: 1-800-681-9914
SCALE:	$1" = 5"$ JPEGI $8.5" X 11"$ NOT TO SCALE
DATE:	JAN-2018 REVISION REV 2.0
DRAWING NO.:	DWG059, BD-12HHG325P