

POWERMAX

ST-Series

323POW

680 033 110

12V 145Ah 900CCA



Order Information	
European Type No. (ETN)	680 033 110
JIS Code	623
Packaging Unit	1
Quantity per Pallet	21

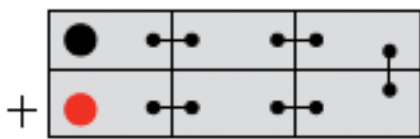
Technical Information		
Nominal Voltage	12 Volts	
Capacity (Ah)	145	
Cold Cranking Amps (CCA)	900	
Dimensions	Length	513 mm
	Width	223 mm
	Height	223 mm
Wet Weight (kg)	44.9	
Base Hold-down	N	
Layout	4	
Terminal Types	1	

Base Hold-Down:

N

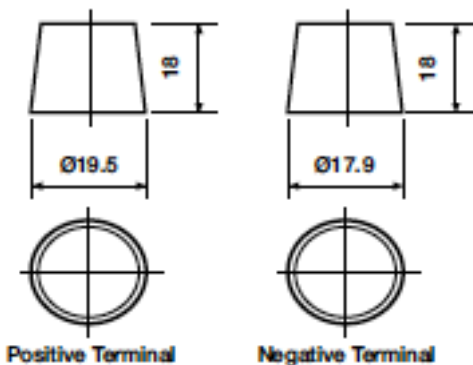


Layout:



4

Terminal Types:



This information is generally descriptive only and is not intended to make or imply any representation, guarantee or warranty with respect to any cells and batteries. Cell and battery designs/specifications are subject to modifications without notice.

Contact Barden UK for the latest information

Barden UK Ltd
 5 Little Park Farm Road
 Segensworth West
 Fareham
 Hampshire
 PO15 5SJ



Tel: +44 (0)1489 570770
www.barden-uk.com