

POWERMAX

ST-Series

324POW

70516

12V 200Ah 1050CCA



Order Information	
European Type No. (ETN)	70516
JIS Code	624
Packaging Unit	1
Quantity per Pallet	18

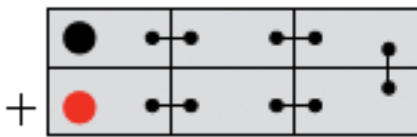
Technical Information		
Nominal Voltage	12 Volts	
Capacity (Ah)	200	
Cold Cranking Amps (CCA)	1050	
Dimensions	Length	518 mm
	Width	276 mm
	Height	242 mm
Wet Weight (kg)	57.9	
Base Hold-down	N	
Layout	4	
Terminal Types	1	

Base Hold-Down:

N

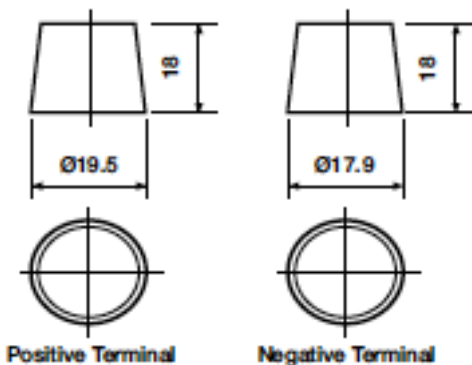


Layout:



4

Terminal Types:



Positive Terminal

Negative Terminal

This information is generally descriptive only and is not intended to make or imply any representation, guarantee or warranty with respect to any cells and batteries. Cell and battery designs/specifications are subject to modifications without notice.

Contact Barden UK for the latest information

Barden UK Ltd
5 Little Park Farm Road
Segensworth West
Fareham
Hampshire
PO15 5SJ



Tel: +44 (0)1489 570770
www.barden-uk.com